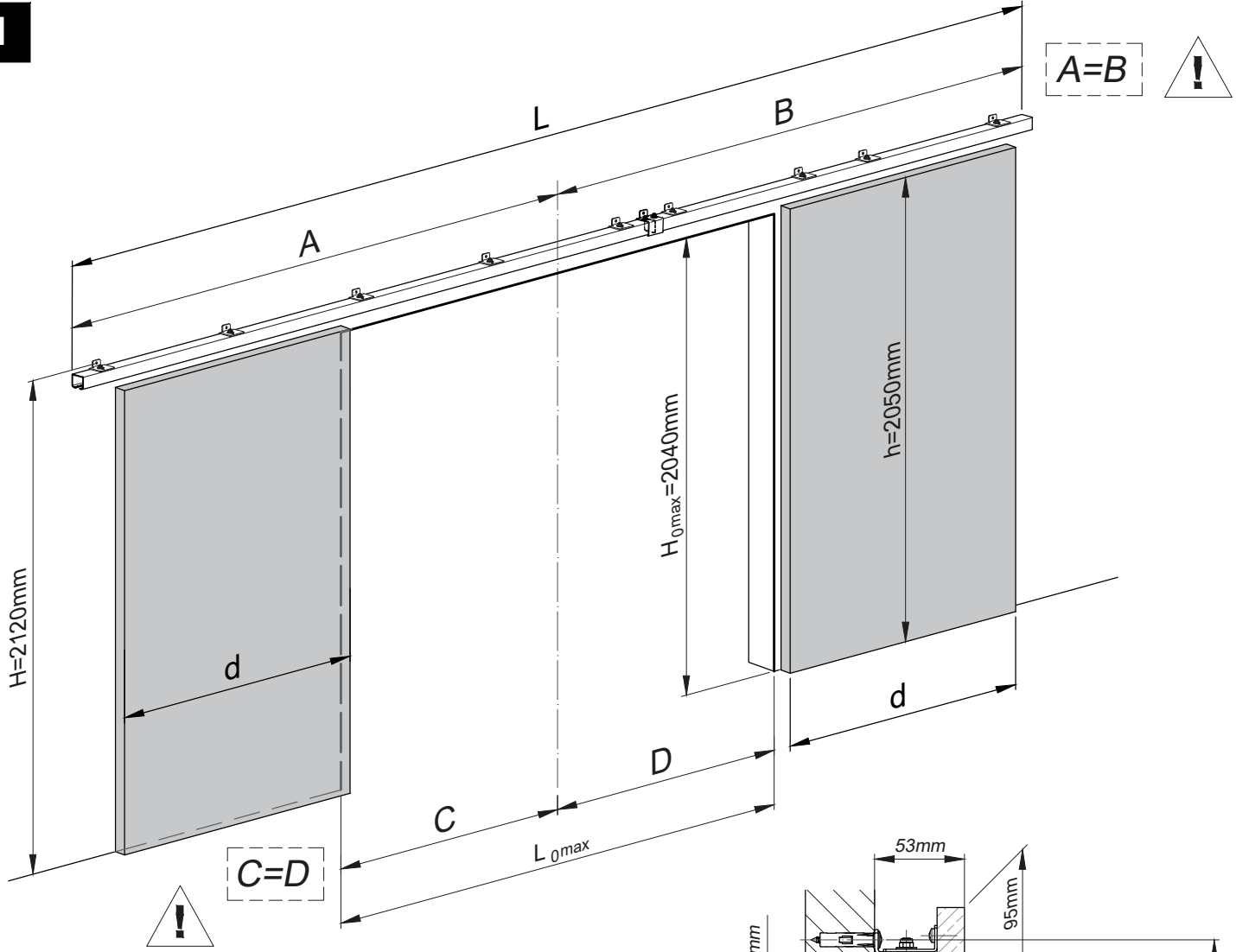
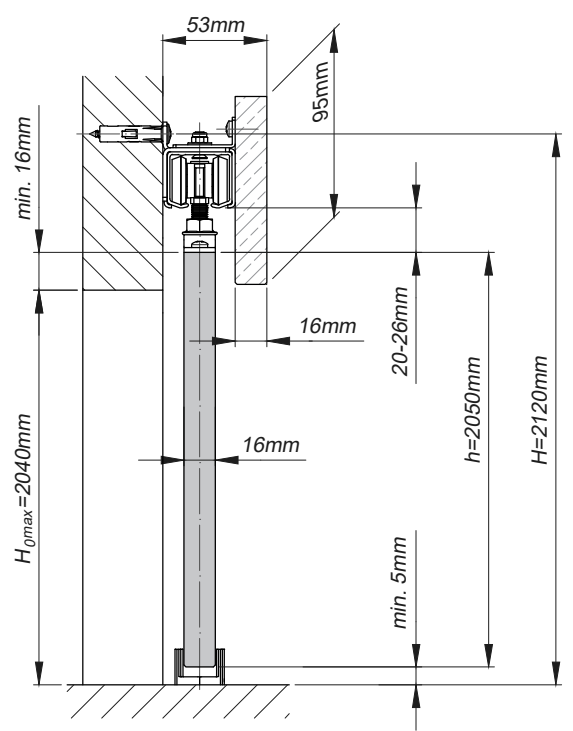
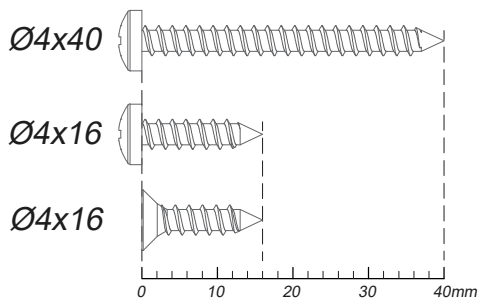


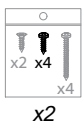
1



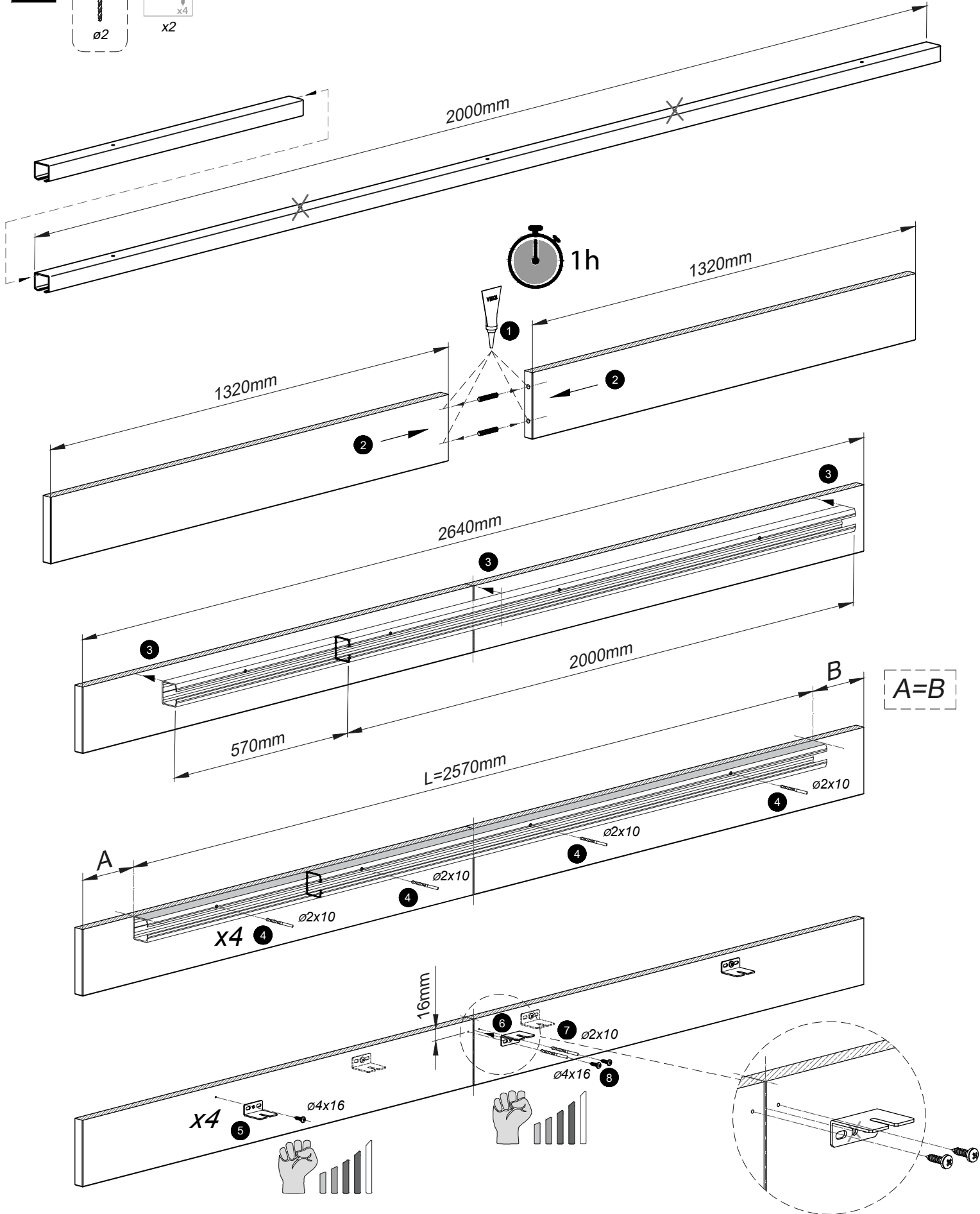
L [mm]	2570	2970	3370	4000	
d [mm] x2	660 "120"	760 "140"	860 "160"	960 "180"	1060 "200"
L _{0max} [mm]	1260	1460	1660	1860	2060



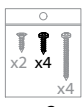
2a



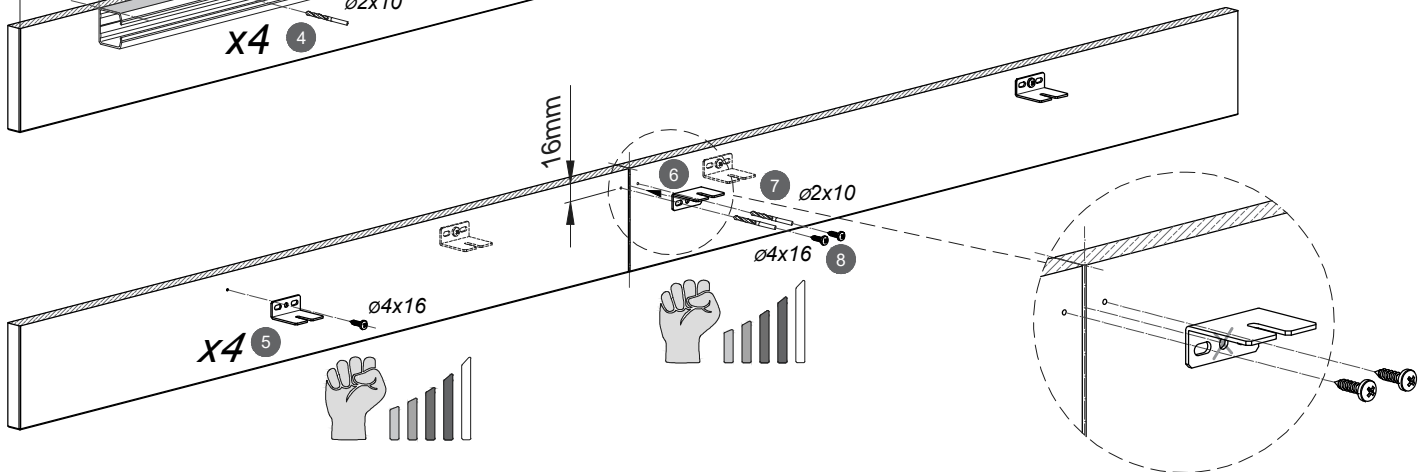
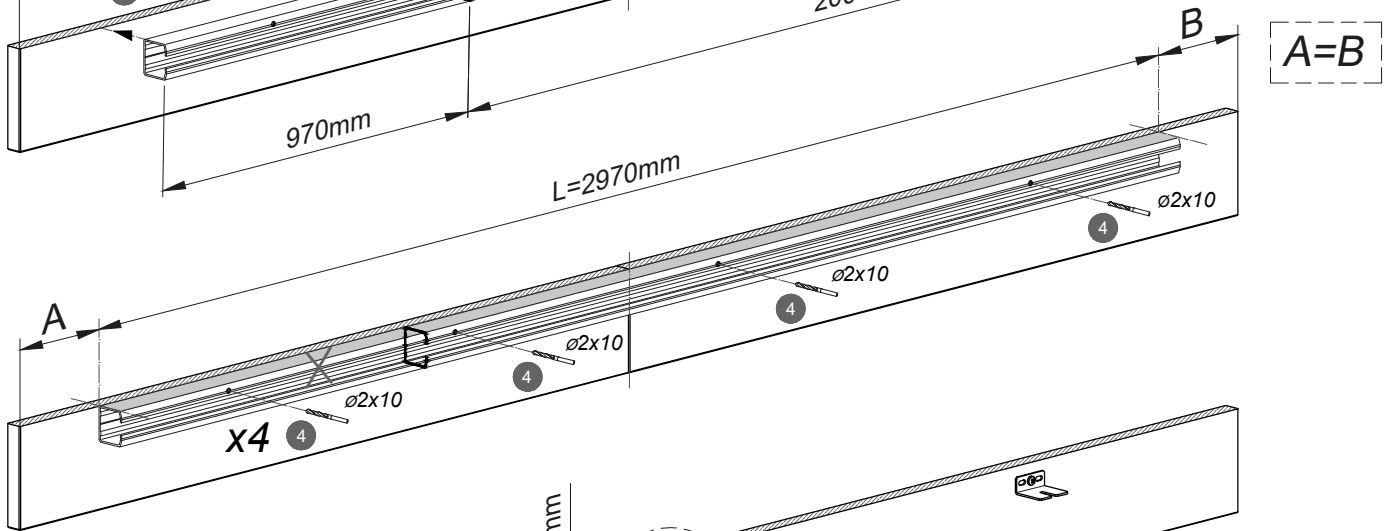
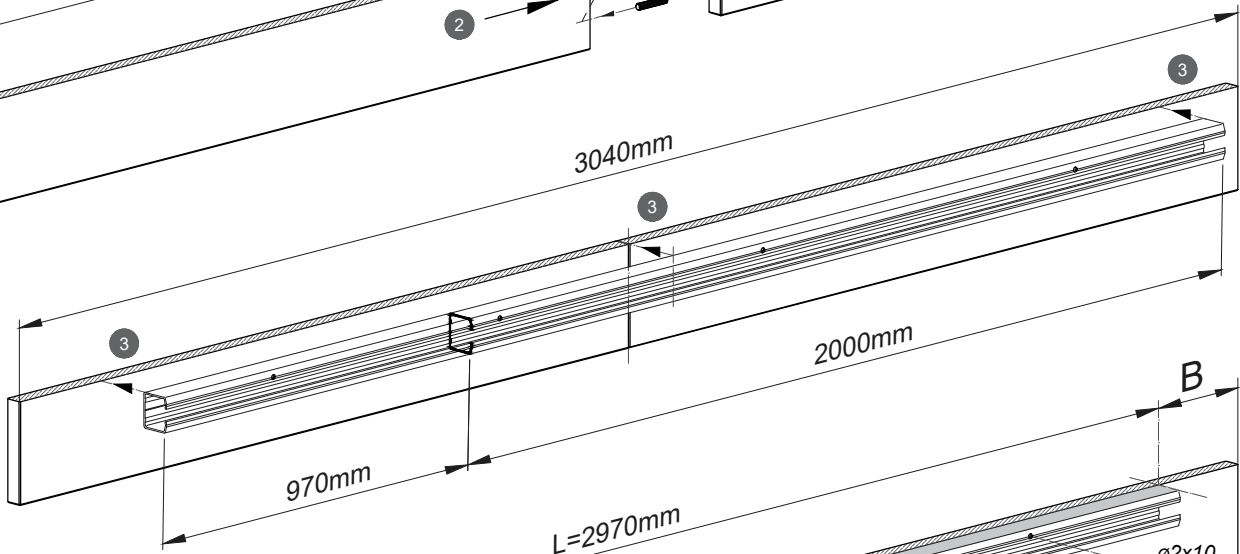
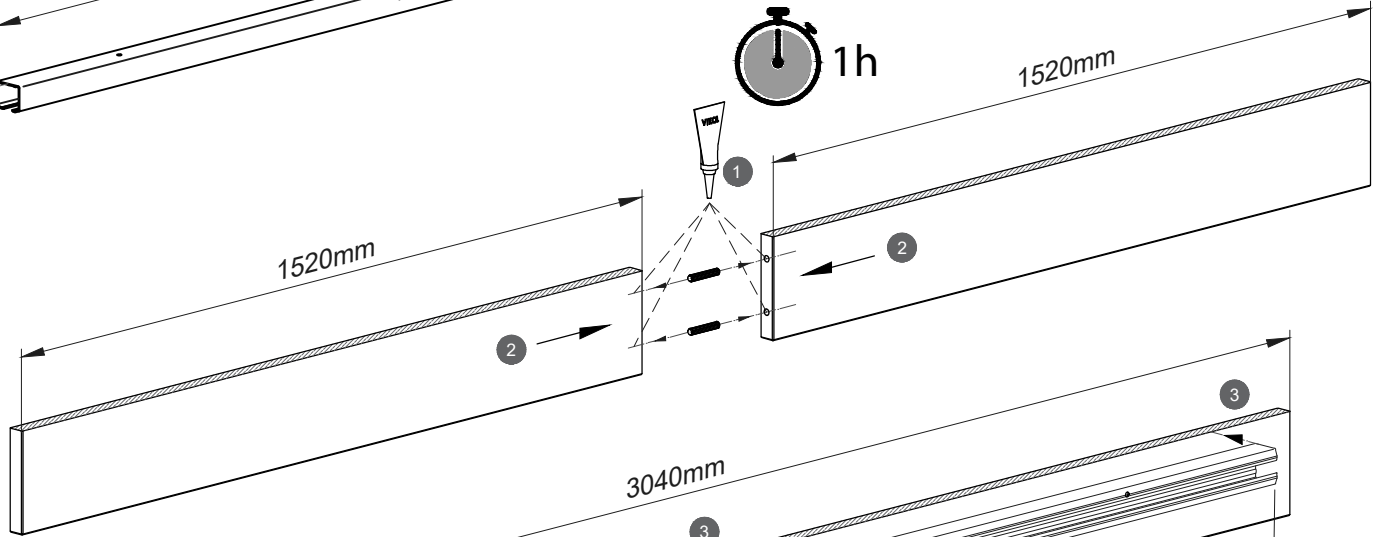
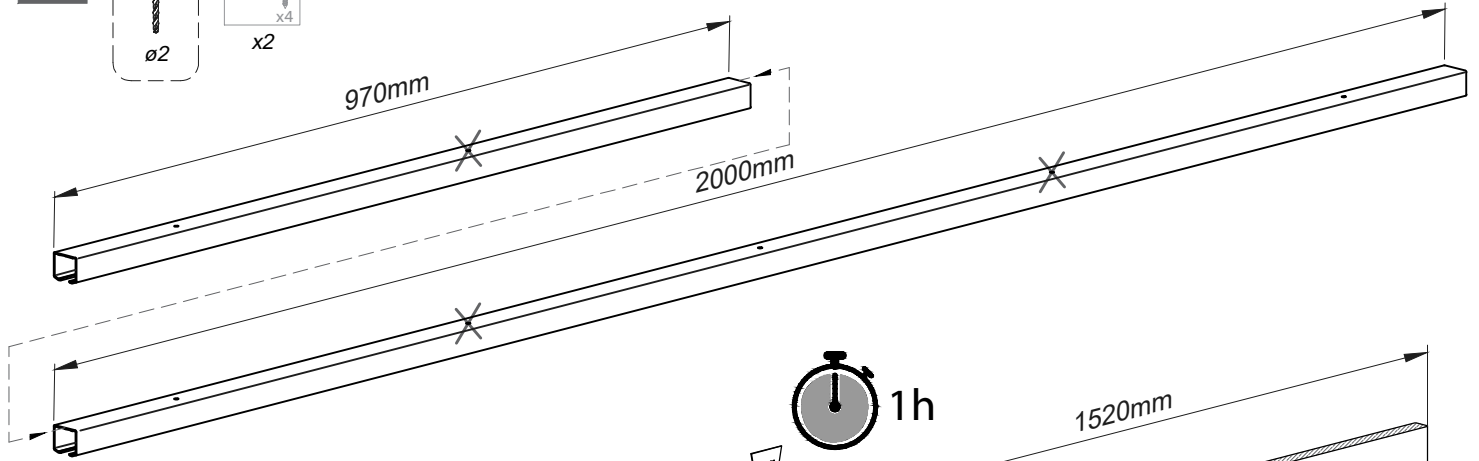
"120"



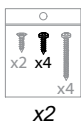
2b



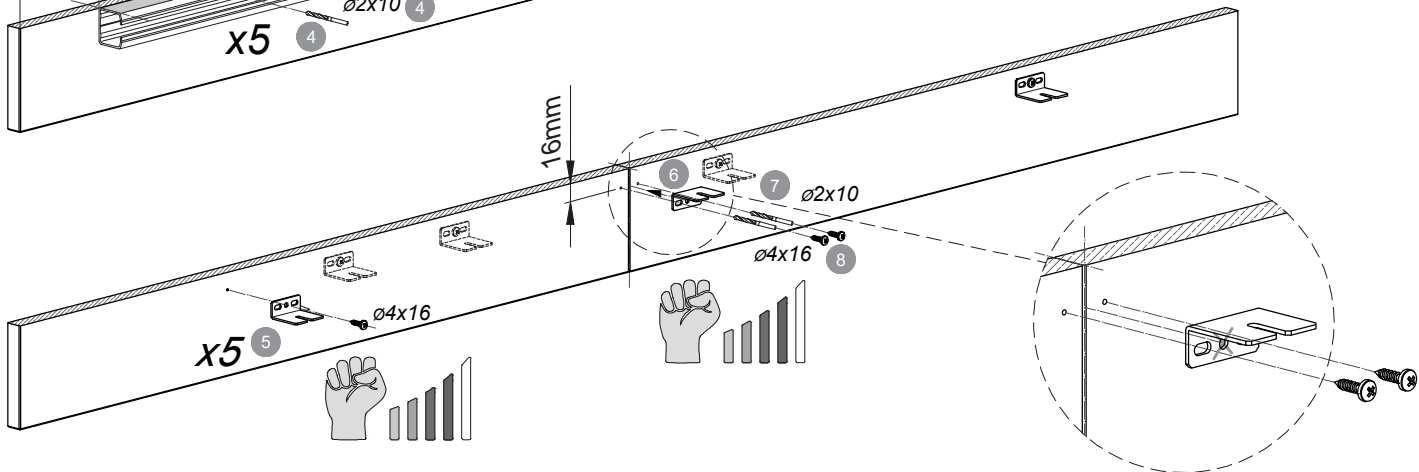
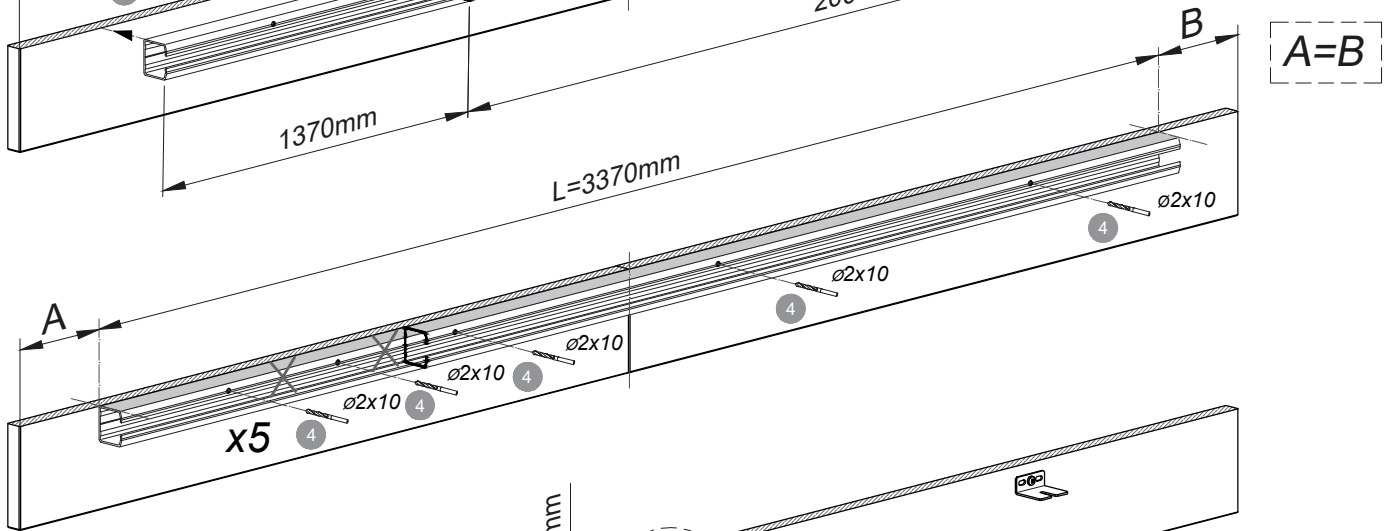
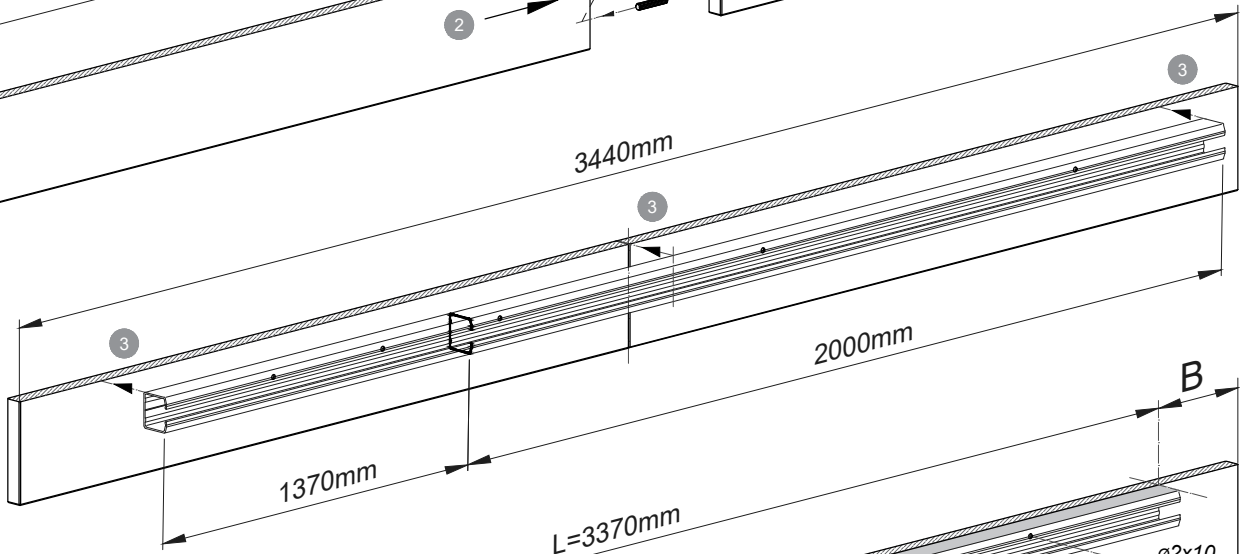
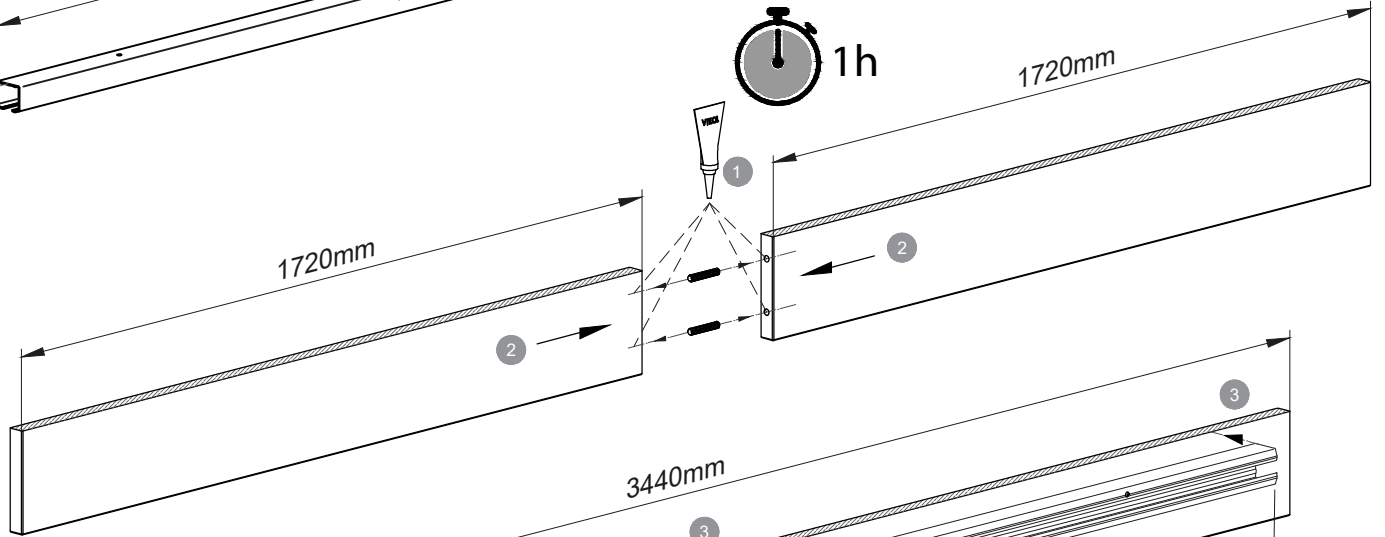
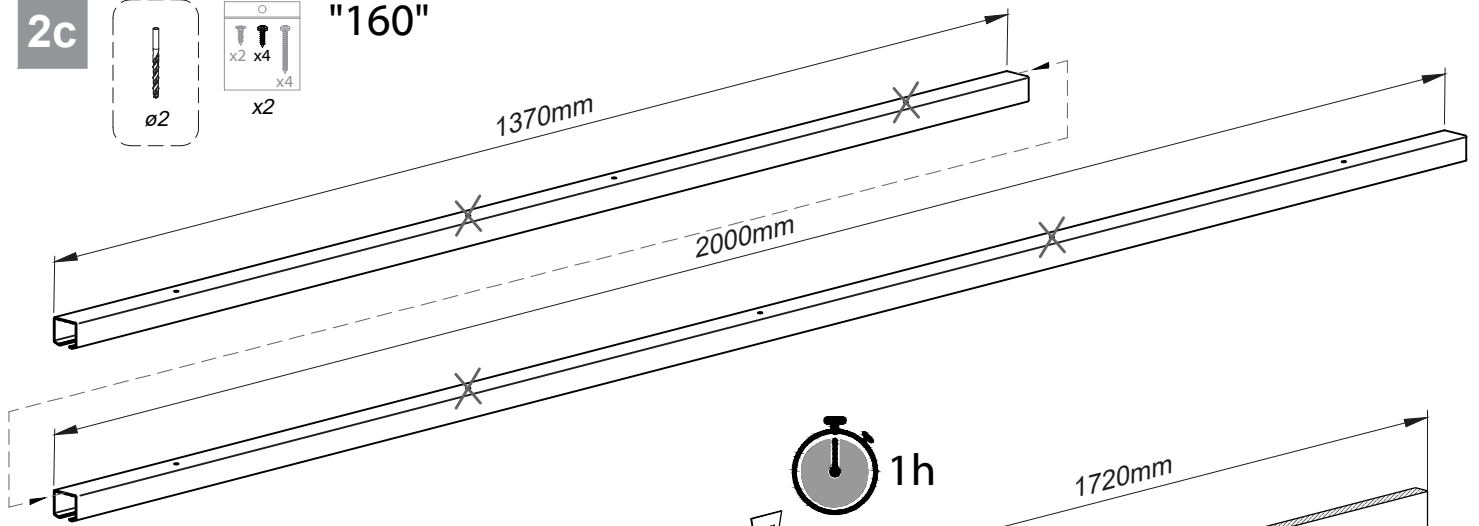
"140"



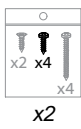
2c



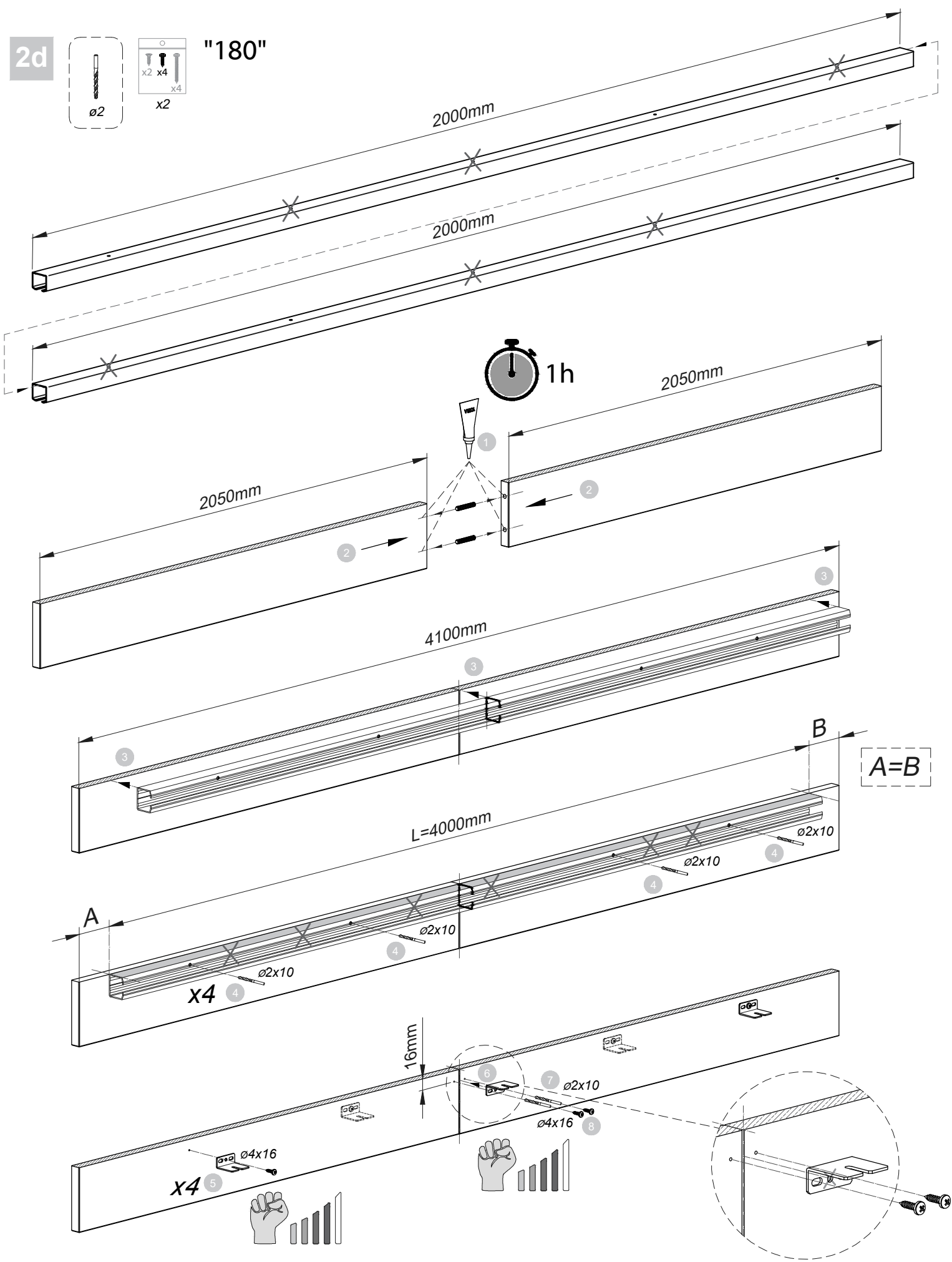
"160"



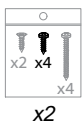
2d



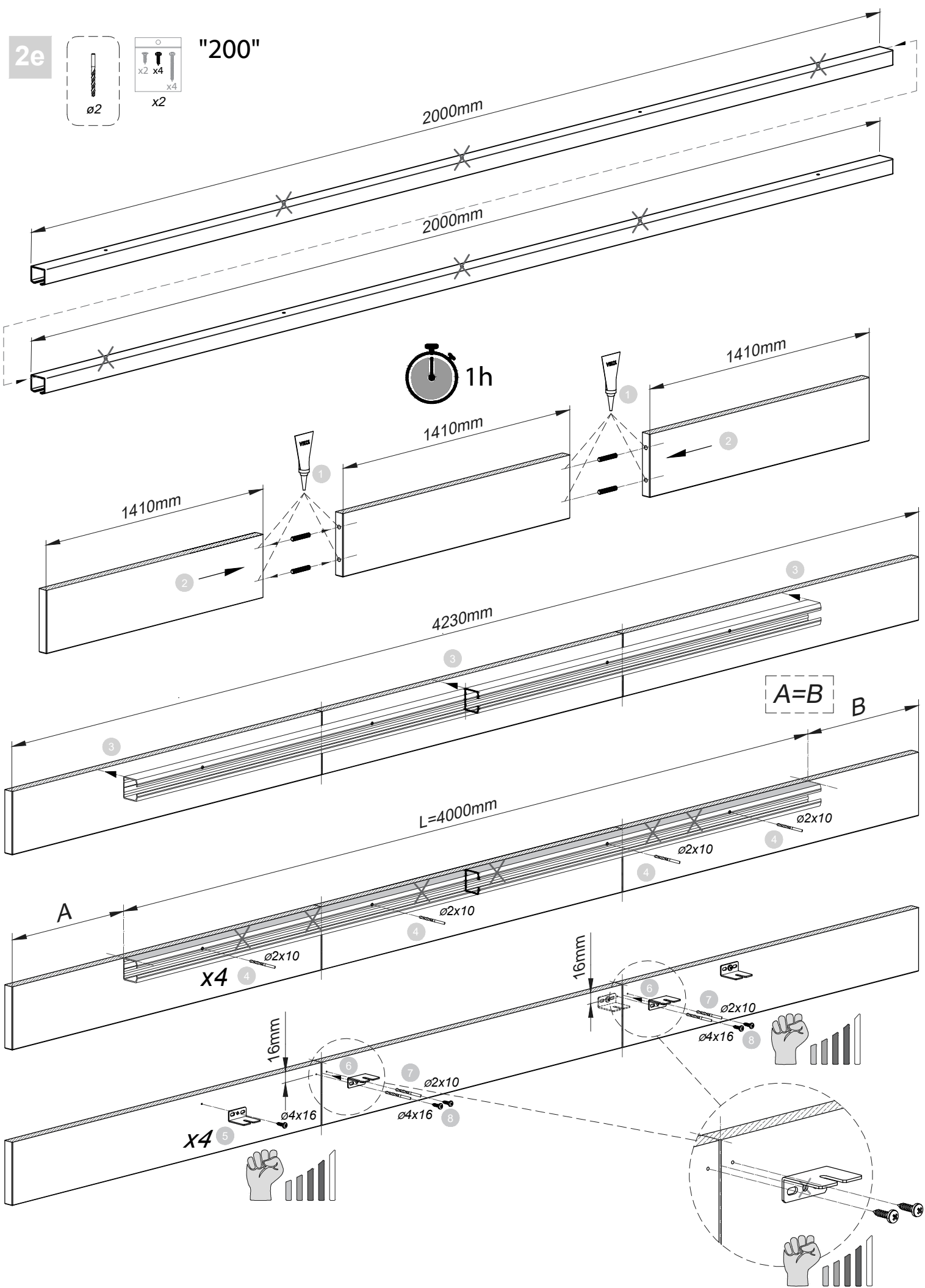
"180"



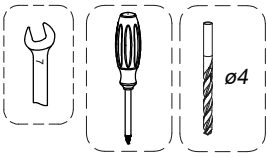
2e



"200"



3a



3b

3c

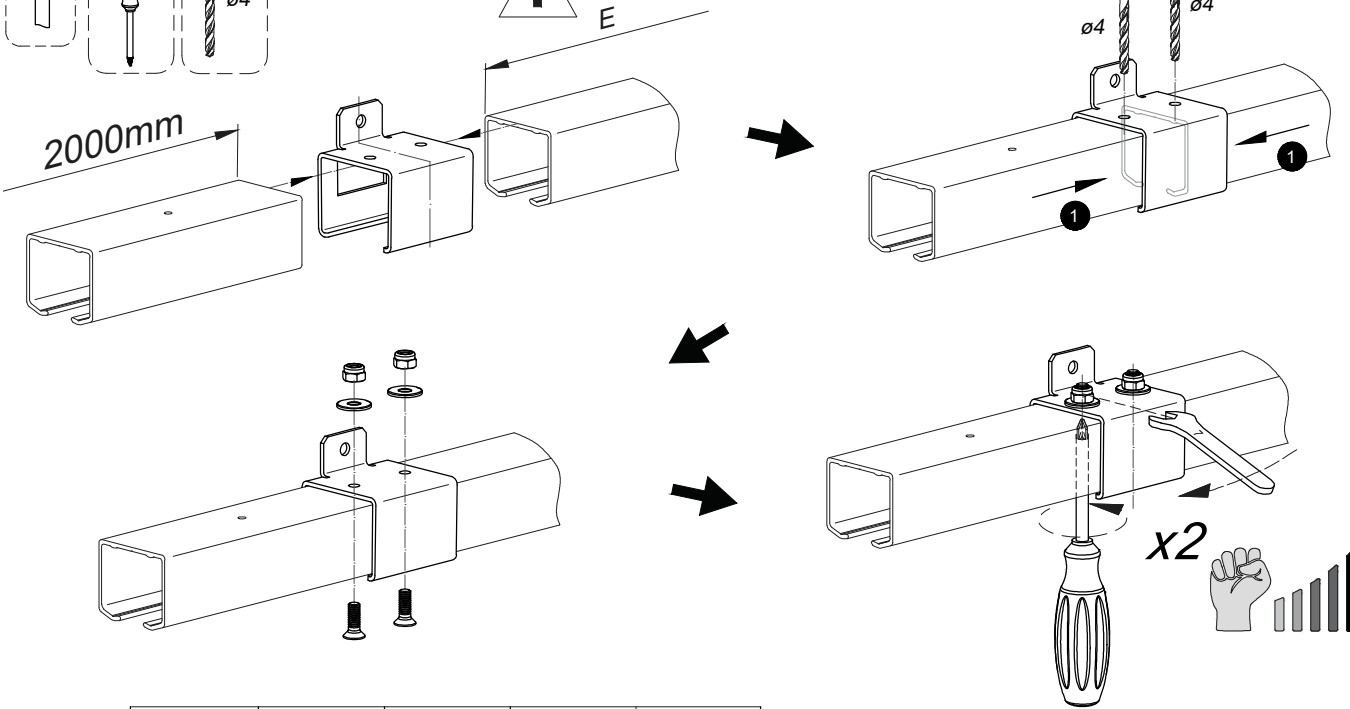
3d

3e

2000mm

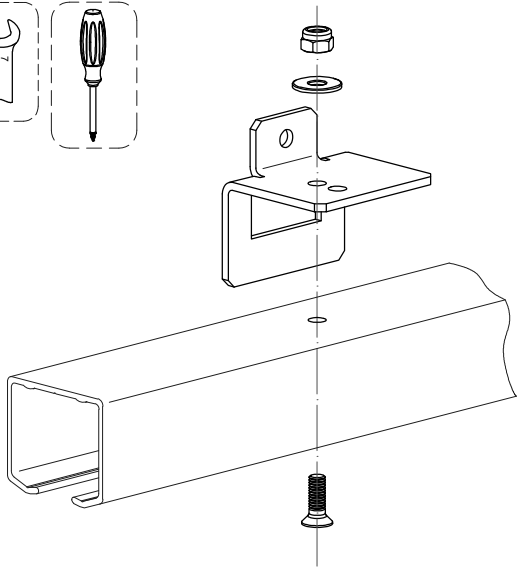
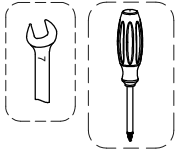


E

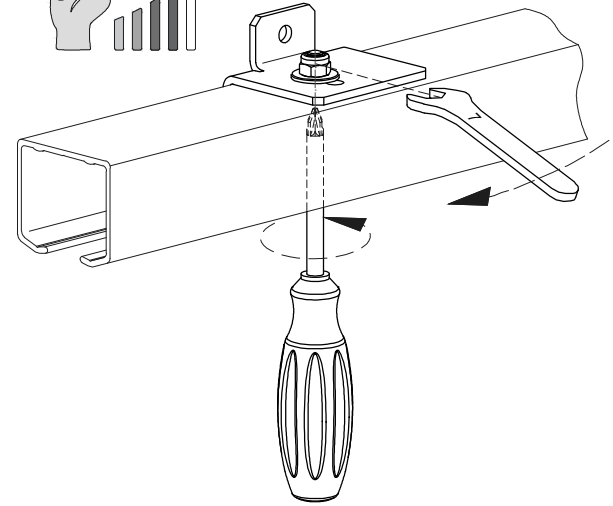


	"120"	"140"	"160"	"180"	"200"
E [mm]	570	970	1370	2000	

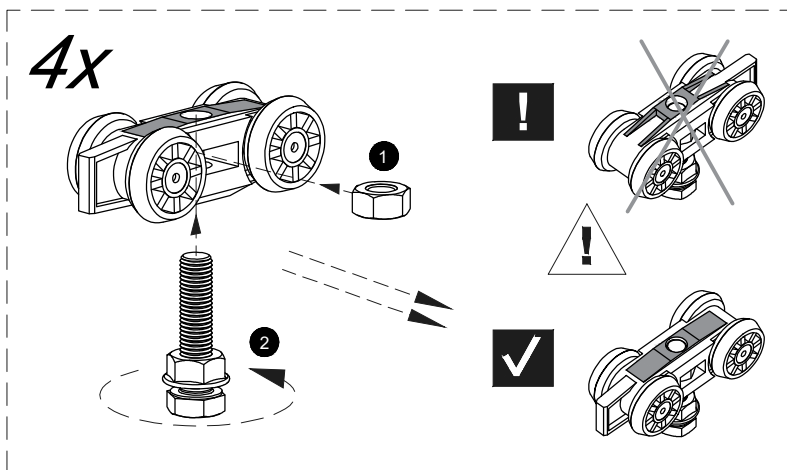
4



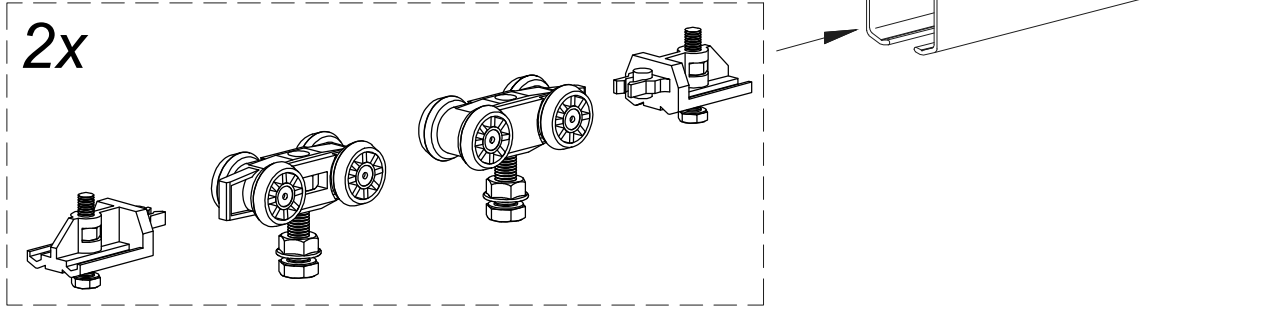
x6/x7/x9/x10



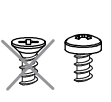
5



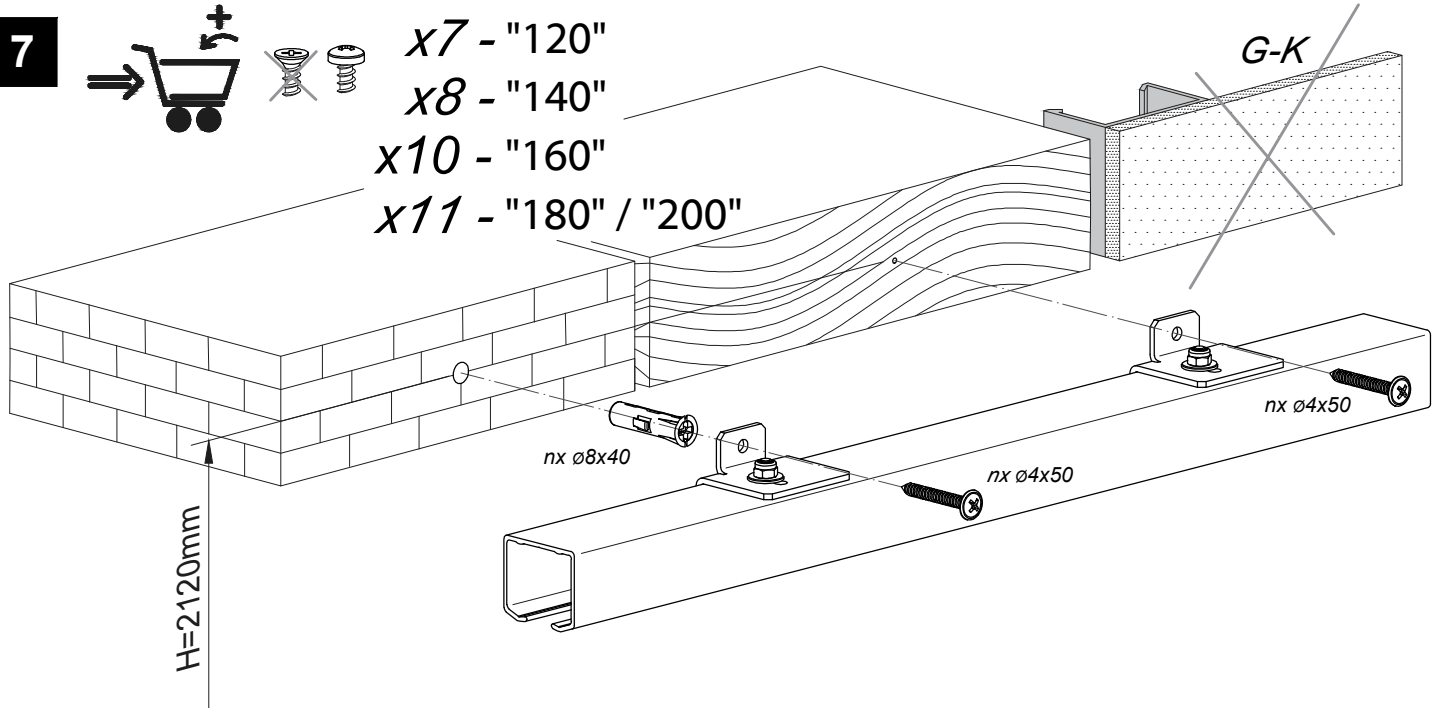
6



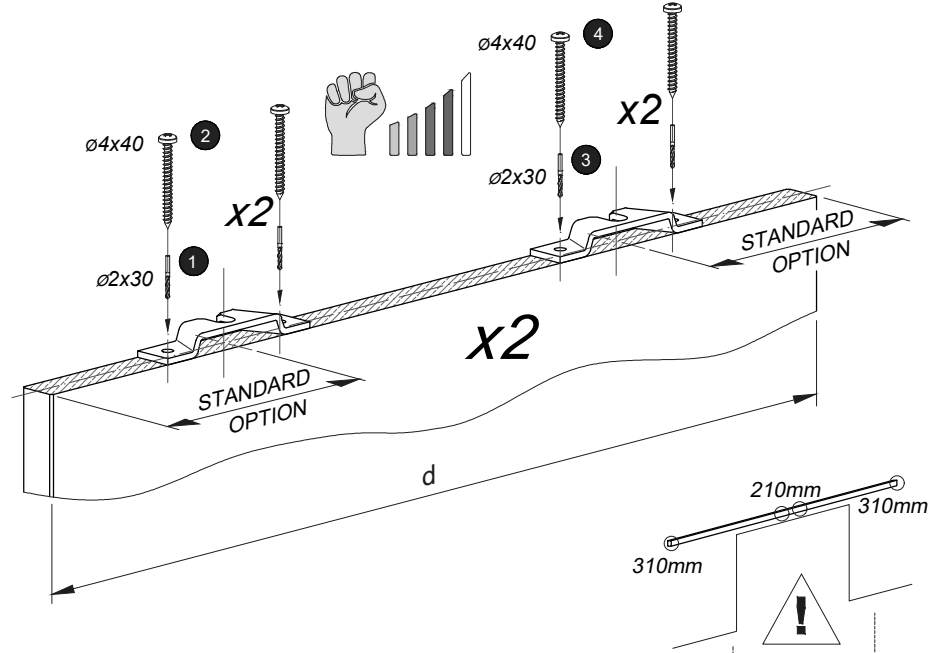
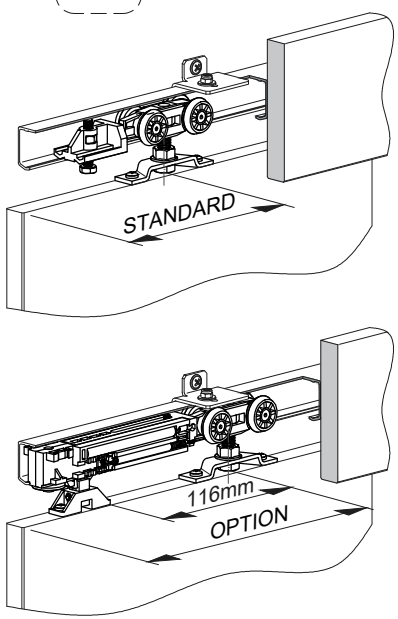
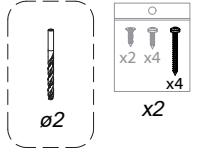
7



- x7 - "120"
- x8 - "140"
- x10 - "160"
- x11 - "180" / "200"



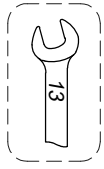
8



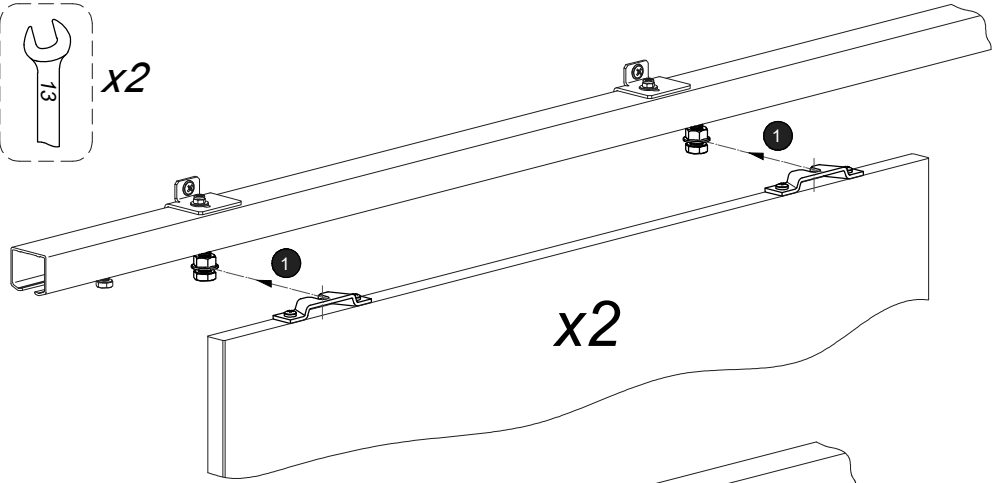
	d [mm]	660 "120"	760 "140"	860 "160"	960 "180"	1060 "200"
STANDARD [mm]			100			160
OPTION [mm]			180			210/310



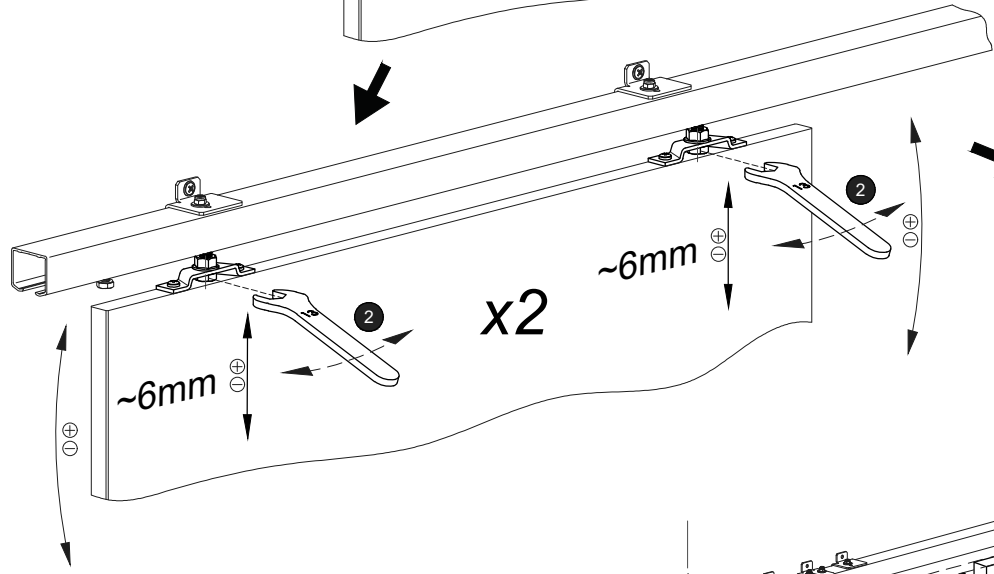
9



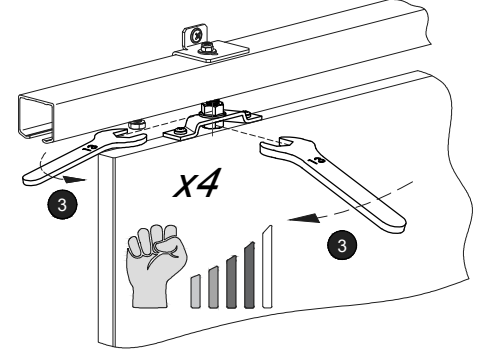
x2



x2

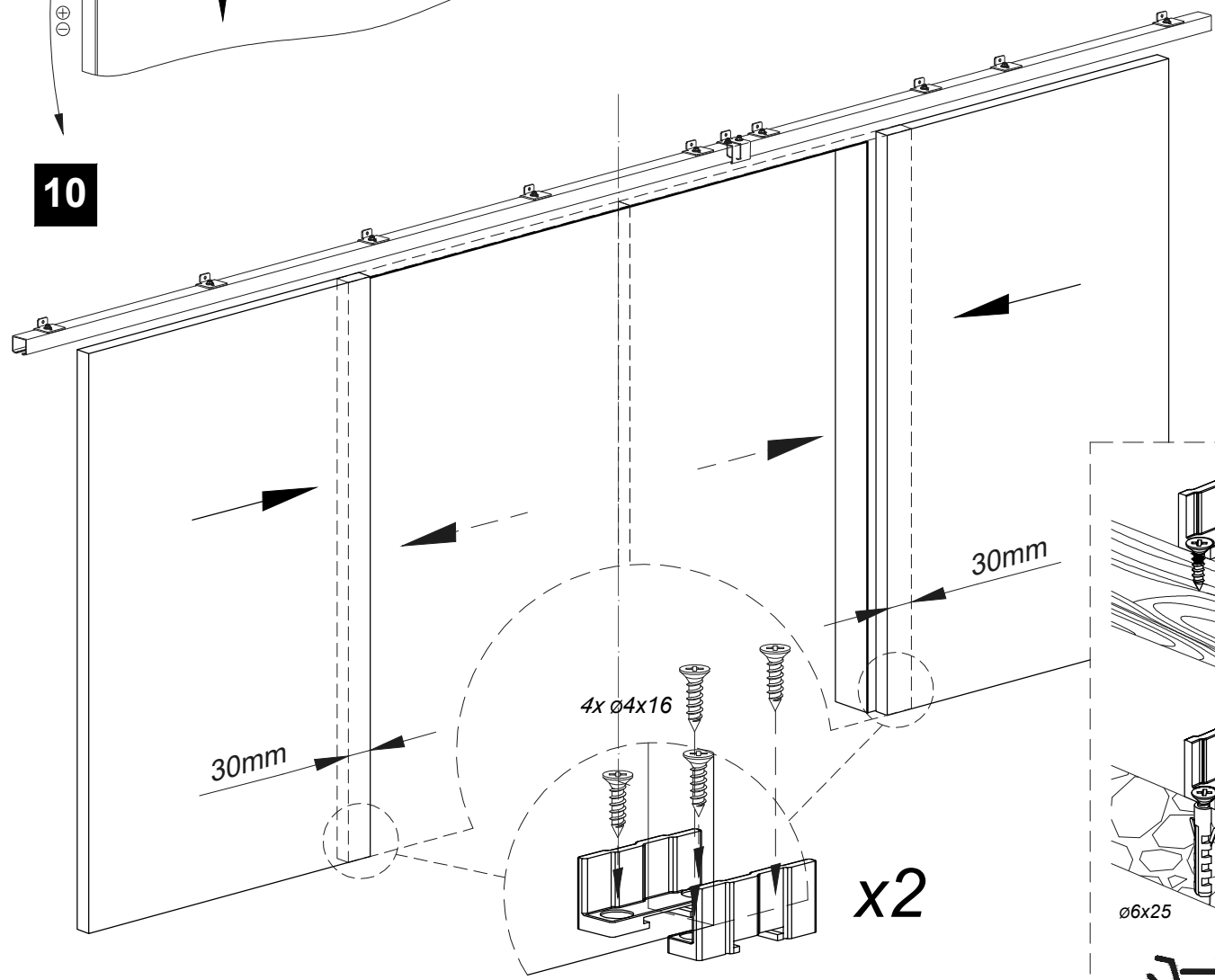


x2



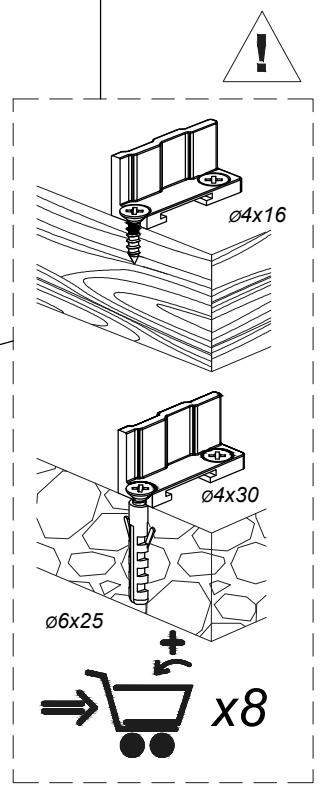
x4

10



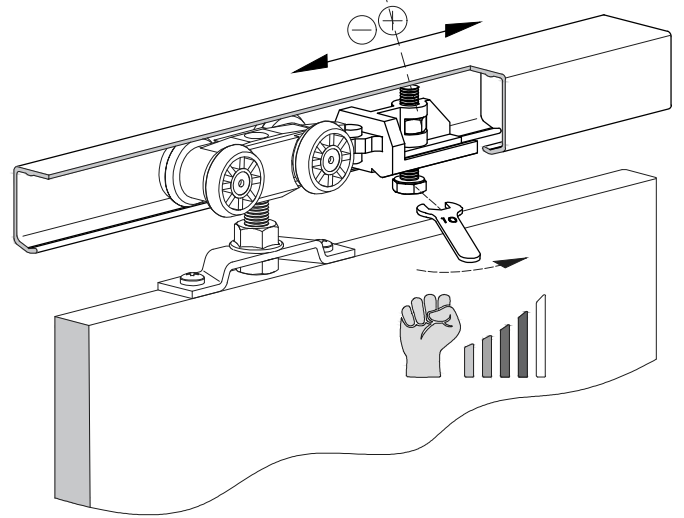
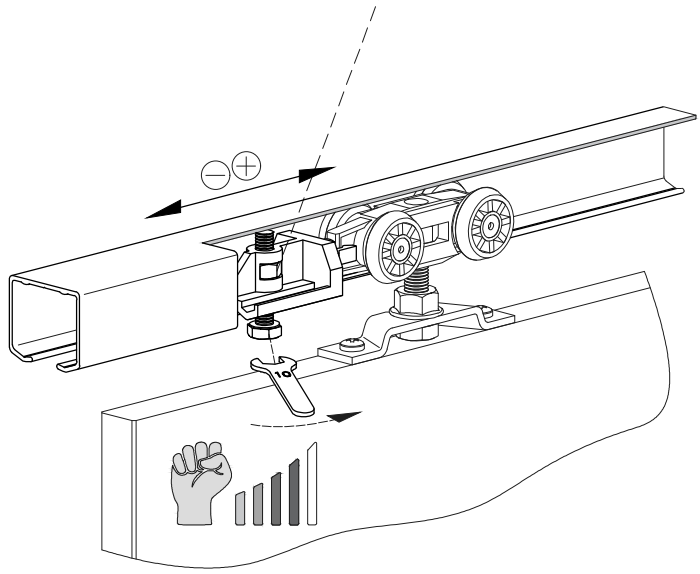
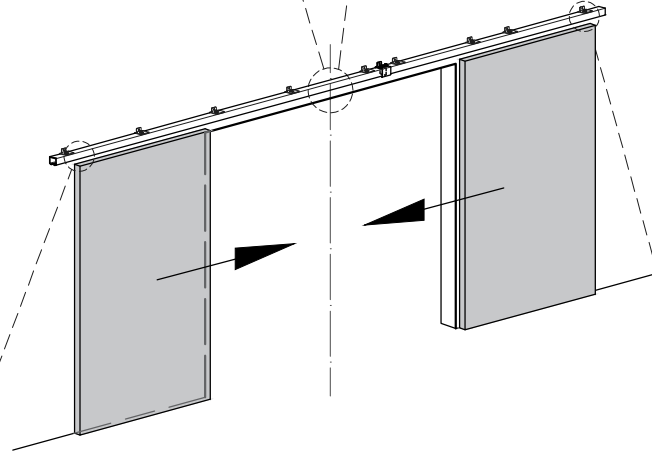
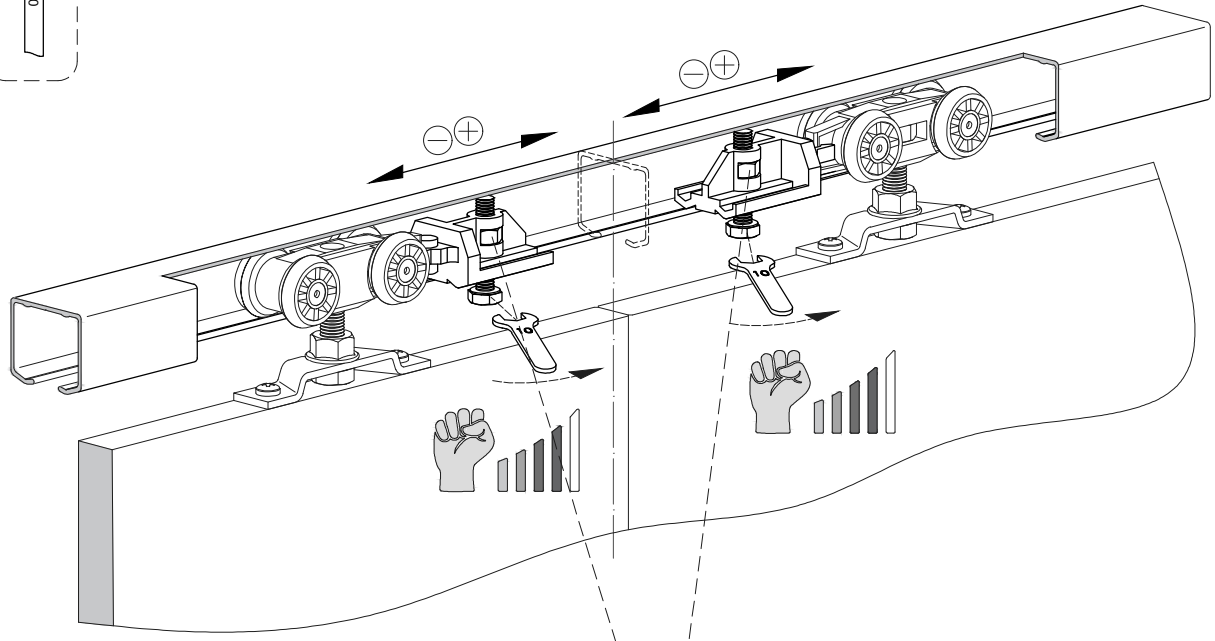
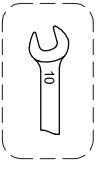
4x Ø4x16

x2

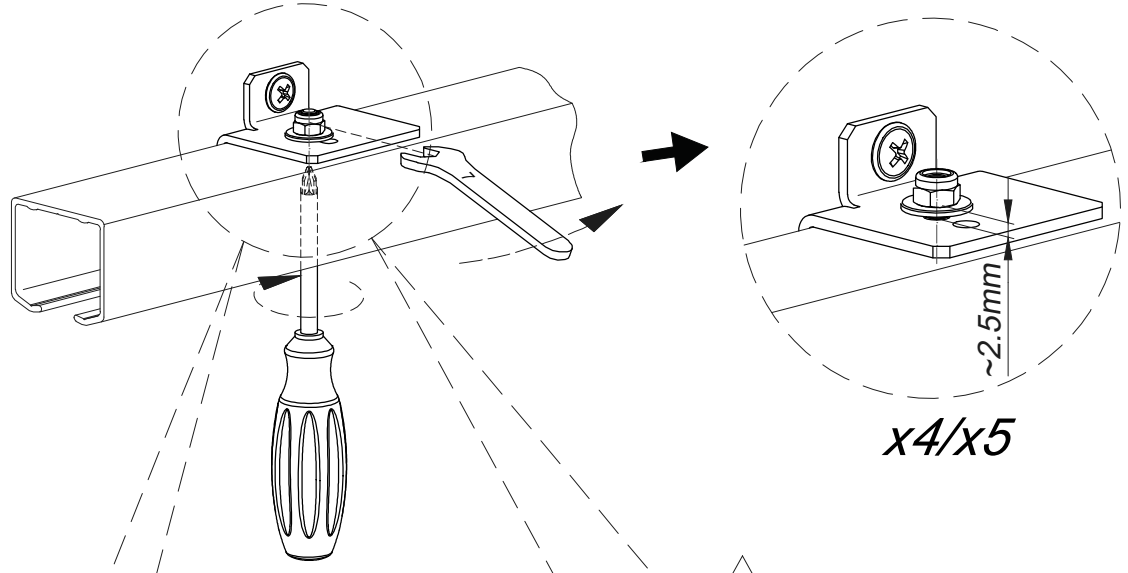
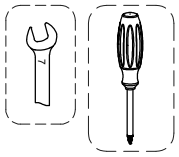


x8



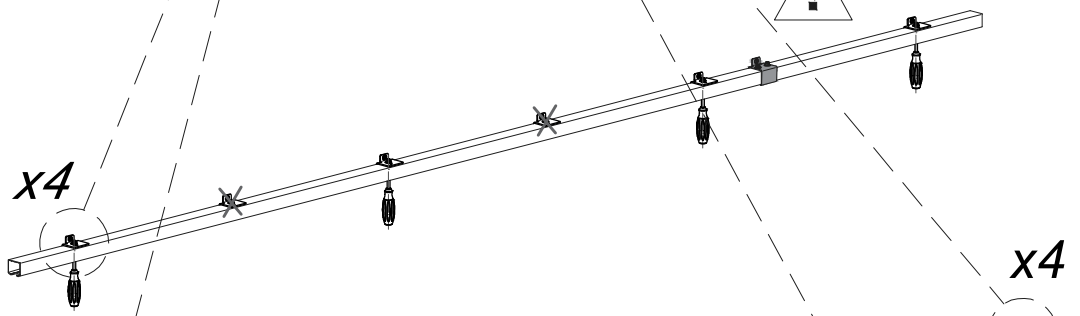


12



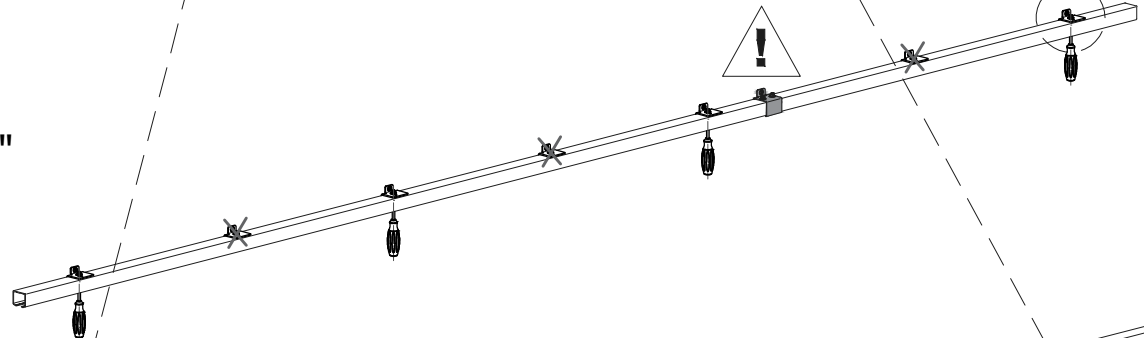
12a

"120"



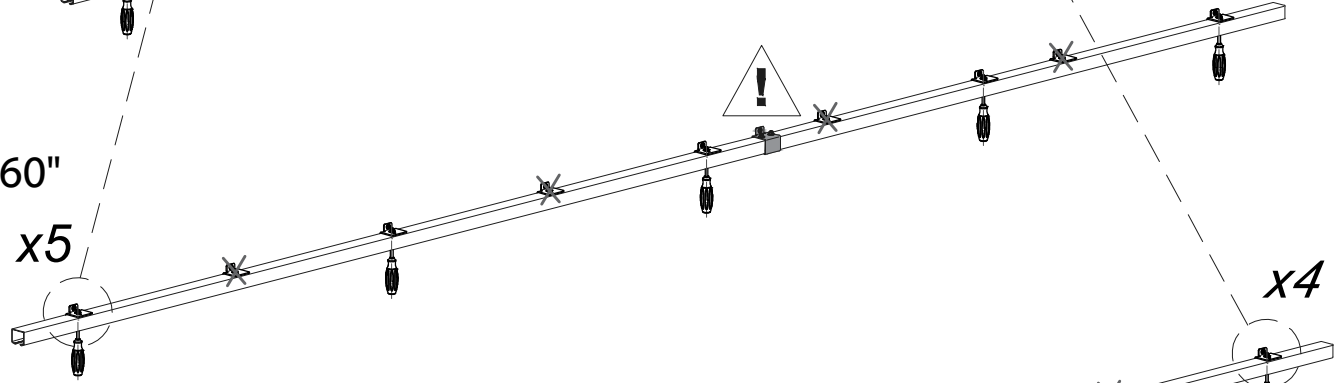
12b

"140"



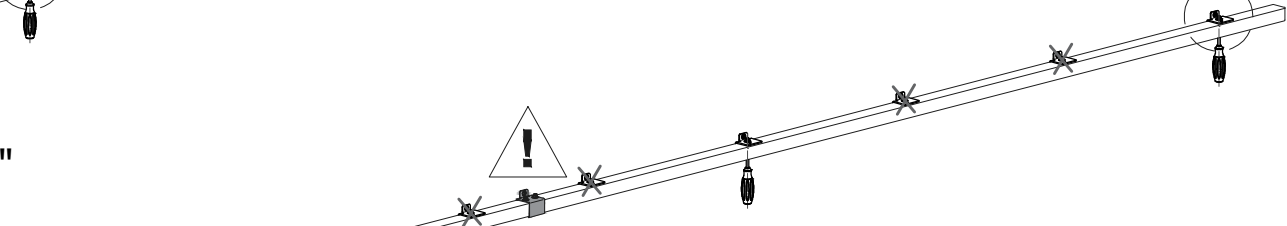
12c

"160"



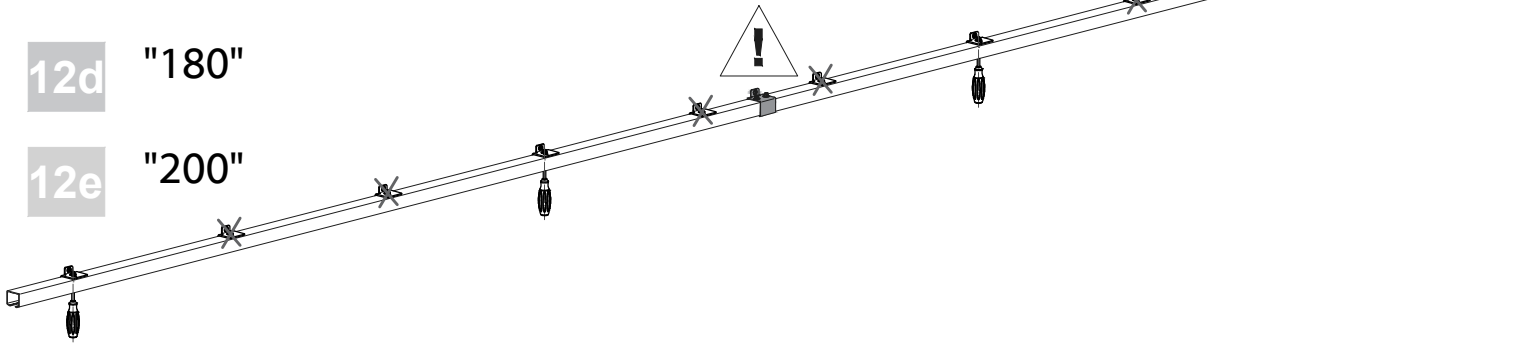
12d

"180"



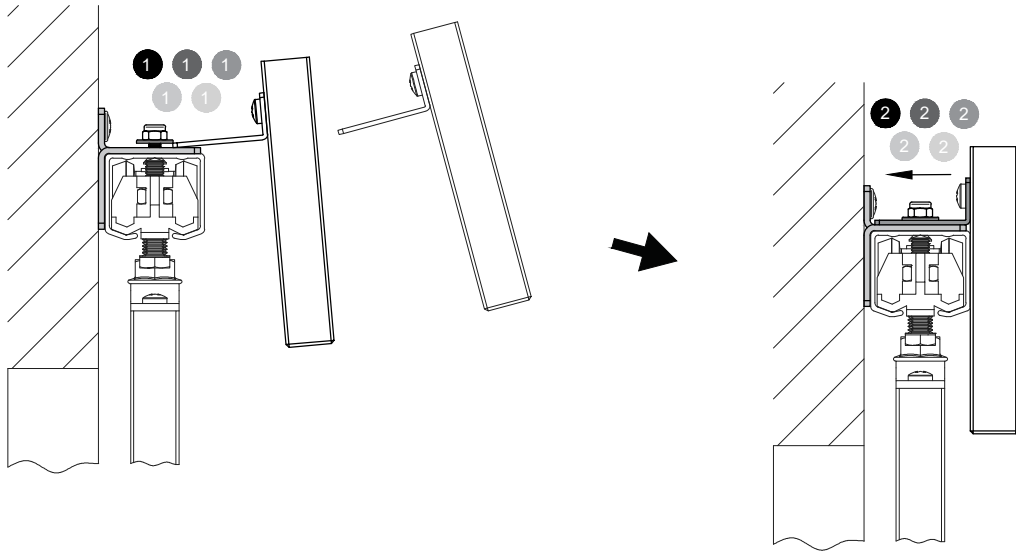
12e

"200"

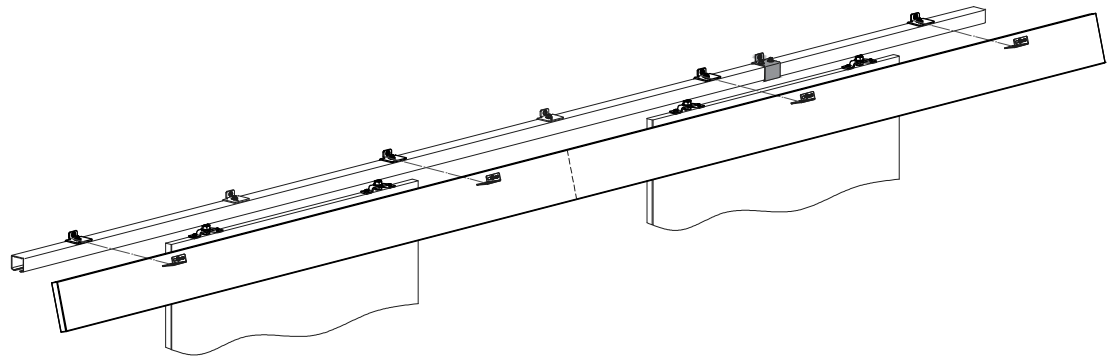


13

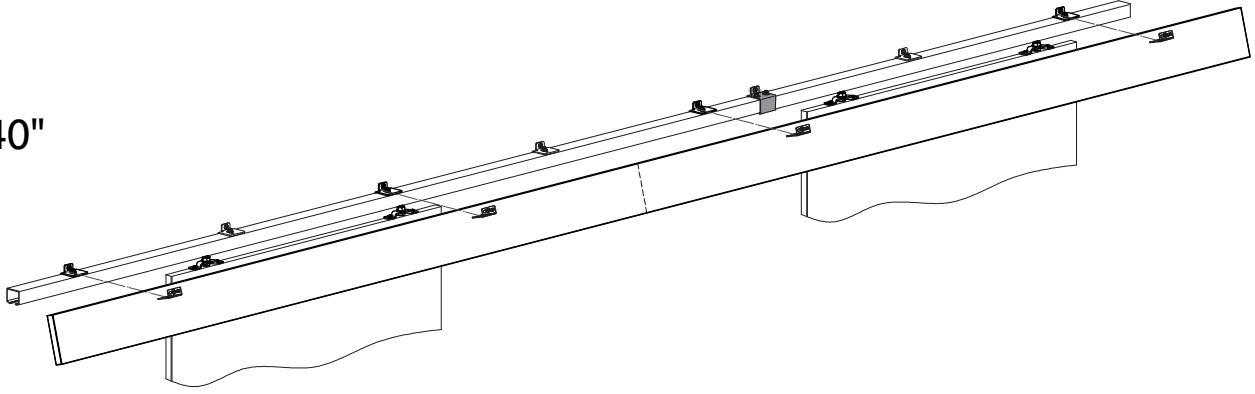
x4/x5



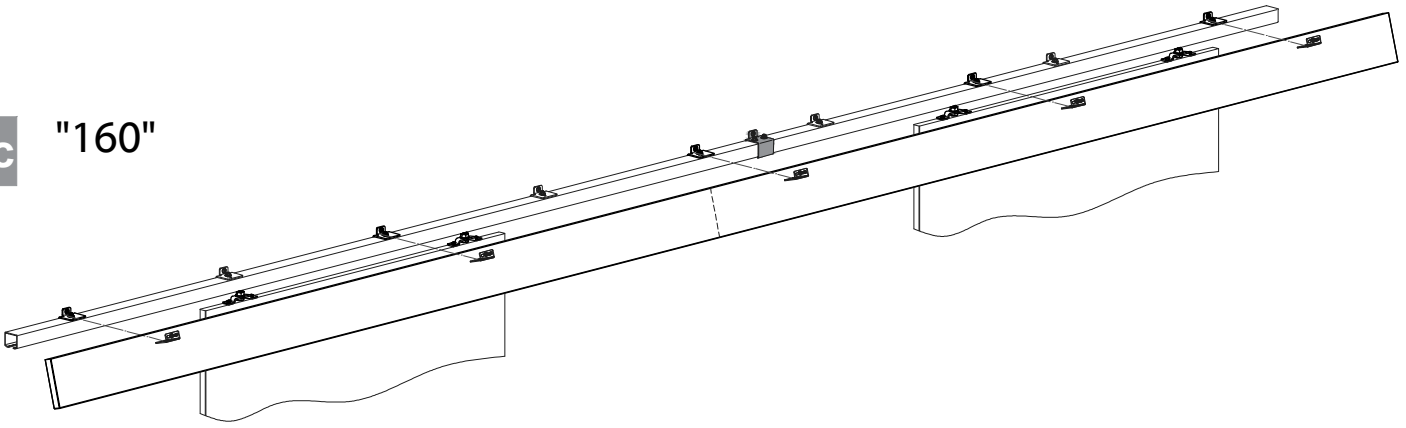
13a "120"



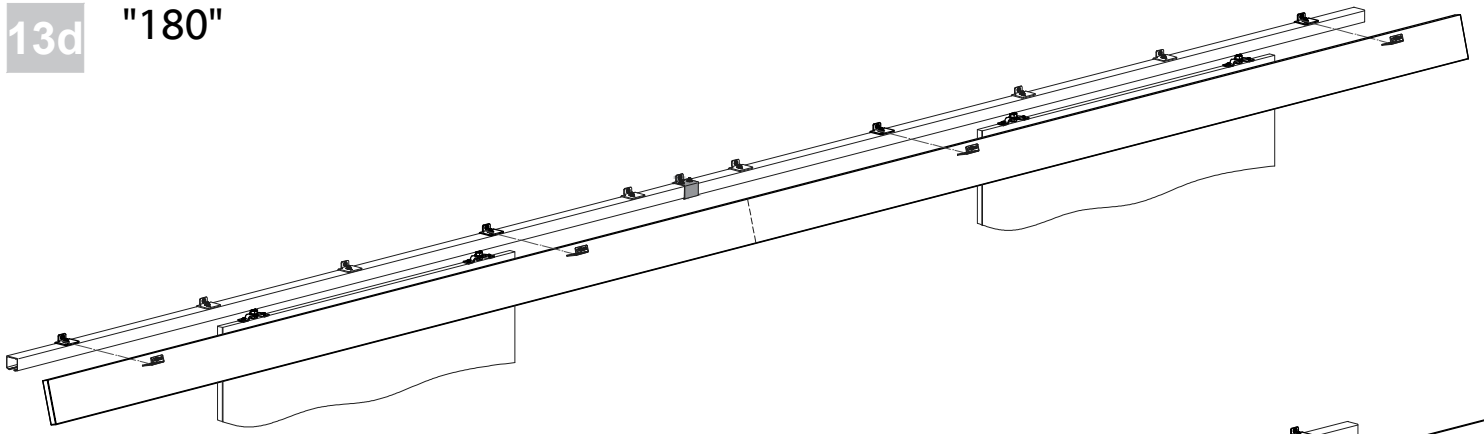
13b "140"



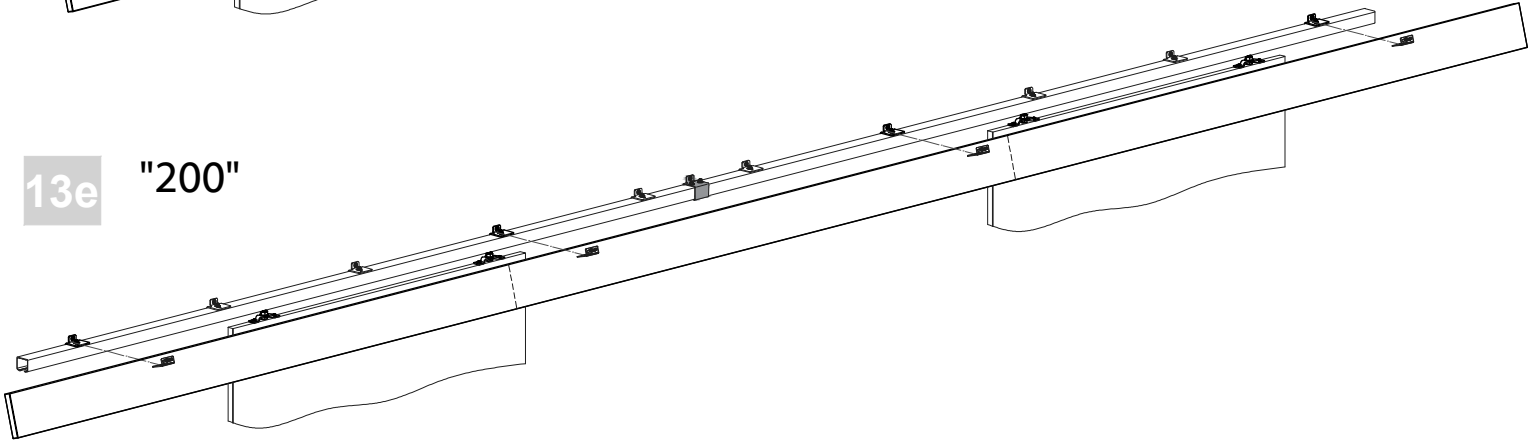
13c "160"



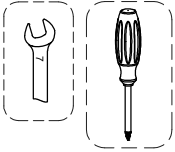
13d "180"



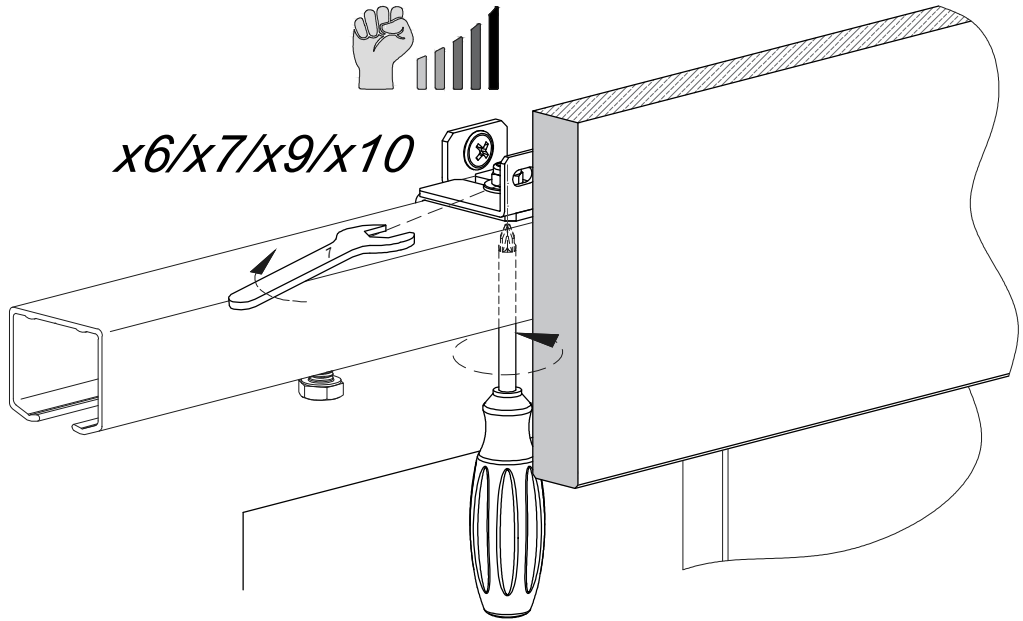
13e "200"



14



x6/x7/x9/x10



15

